

DISPLAY CORPORATION

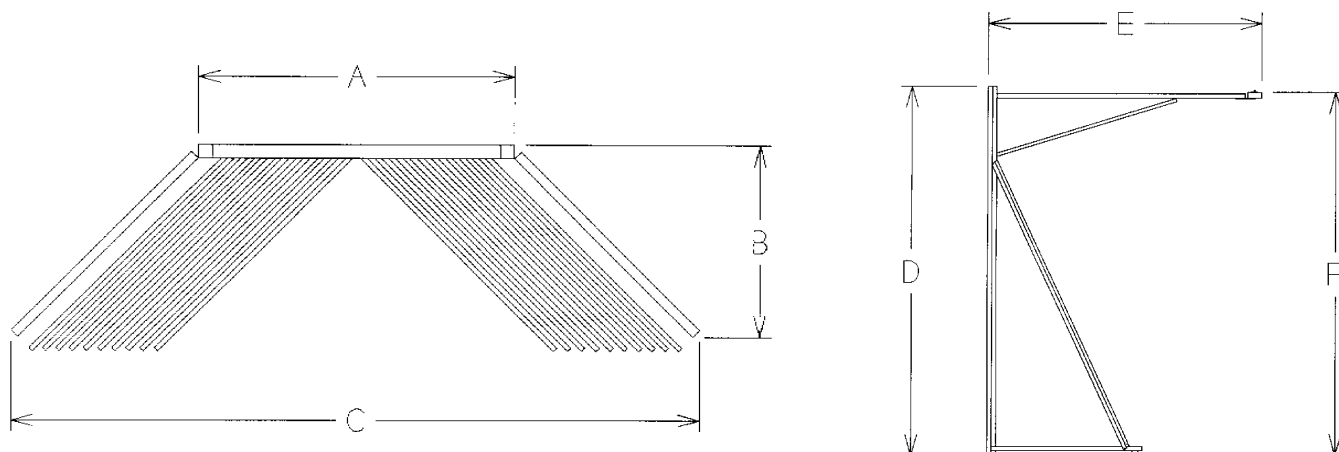


I N T E R N A T I O N A L , I N C .

800-362-8416 FAX 706-517-0871

YOUR SHOWROOM FLOOR PLANNING GUIDE

When planning your showroom, the measurements below will assist you in maximizing the number of rugs to be hung in the allocated space. If you would like assistance with your store planning or if you have questions please call one of our trained sales associates at 800-362-8416.



These measurements apply to our 4x6 Nominal, 6x9 Nominal and Full size Displays.

Size	Arms	A	B	C	D	E	F
4x6 Nom	20	2' 11 1/2"	2' 11"	9' 5"	7' 1"	5' 0"	6' 11"
	30	4' 3"	2' 11"	10' 11"	7' 1"	5' 0"	6' 11"
	40	5' 7"	2' 11"	12' 5"	7' 1"	5' 0"	6' 11"
	50	6' 9"	2' 11"	13' 11"	7' 1"	5' 0"	6' 11"
6x9 Nom	20	5' 7"	4' 8"	14' 3"	9' 1"	6' 7"	8' 10 1/4"
	30	8' 1"	4' 8"	16' 11"	9' 1"	6' 7"	8' 10 1/4"
	40	10' 7"	4' 8"	19' 4"	9' 1"	6' 7"	8' 10 1/4"
	50	13' 1"	4' 8"	21' 9"	9' 1"	6' 7"	8' 10 1/4"
6x9 FULL SIZE	20	5' 7"	4' 8"	14' 3"	10'	6' 7"	9' 9 1/4"
	30	8' 1"	4' 8"	16' 11"	10'	6' 7"	9' 9 1/4"
	40	10' 7"	4' 8"	19' 4"	10'	6' 7"	9' 9 1/4"
	50	13' 1"	4' 8"	21' 9"	10'	6' 7"	9' 9 1/4"